

# AVIATOR



*Pilot*

REACHING NEW HEIGHTS

## WHY CHOOSE PILOT ?

At Pilot, we understand the challenges a staircase can present and we are passionate about helping people maintain their freedom and independence in the home they love. The Pilot Aviator, for straight staircases, offers a great combination of style, safety, and comfort.

### VERSATILITY

- The universal design allows the lift to be installed on the left or right side of the stairs
- Armrest width, seat height and toggle position are fully adjustable to meet the user's needs
- 2 position swivel seat for safe transfers on and off the lift



### FUNCTIONALITY

- Extra long charging stations make charging the powerful 9Ah batteries easy
- In the event of a power outage, the Aviator's automatic sleep mode will preserve the batteries for up to 20 days!
- Equipped with a battery test point, diagnostic display and easy access panels for fast, accurate services



### SAFETY IS THE STANDARD

- 5 directional safety sensors
- Retractable seat belt
- Armrest position sensors
- Seat position sensor
- Over speed governor
- Electro mechanical brake
- Key switch



# AUTOMATIC HINGED RAIL

*Pilot's auto folding rail option keeps the walkways clear when not in use*

The fully automatic system ensures that the rail is always in the right position, making the operation for the user a breeze



## OUTDOOR UNIT

*The Aviator outdoor has been completely weatherized to withstand the elements.*

Each unit is supplied with:

- 2 lockable, wall mounted boxes for the remotes
- A weatherproof charger box
- Weather resistant cover to protect the unit when not in use

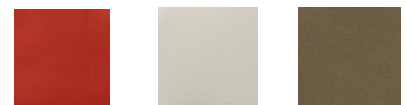
### Technical Specifications

Weight capacity	350 lbs (300 lbs with Hinge option)
Motor	950W, 24VDC
Speed	20-fpm~ 6M/min
Drive Method	Rack & Pinion
Incline Limits	°25-55
Charger	115~230V AC, 50/60Hz
Battery	24VDC re-chargeable batteries
Internal Arm Rest Width	16" - 20"
Seat to Footplate Height	17"-20"
Remote Controls	2 infrared remotes included
Compliance Standards	ASME A18.1/A17.5
Safety Sensors	5 safety sensors as standard
Safety Devices	Overtravel prevention, motor brake, key switch, retractable seat belt, armrest and swivel seat safety switches, OSG
Warranty	5 years on the motor gear box 2 years on components

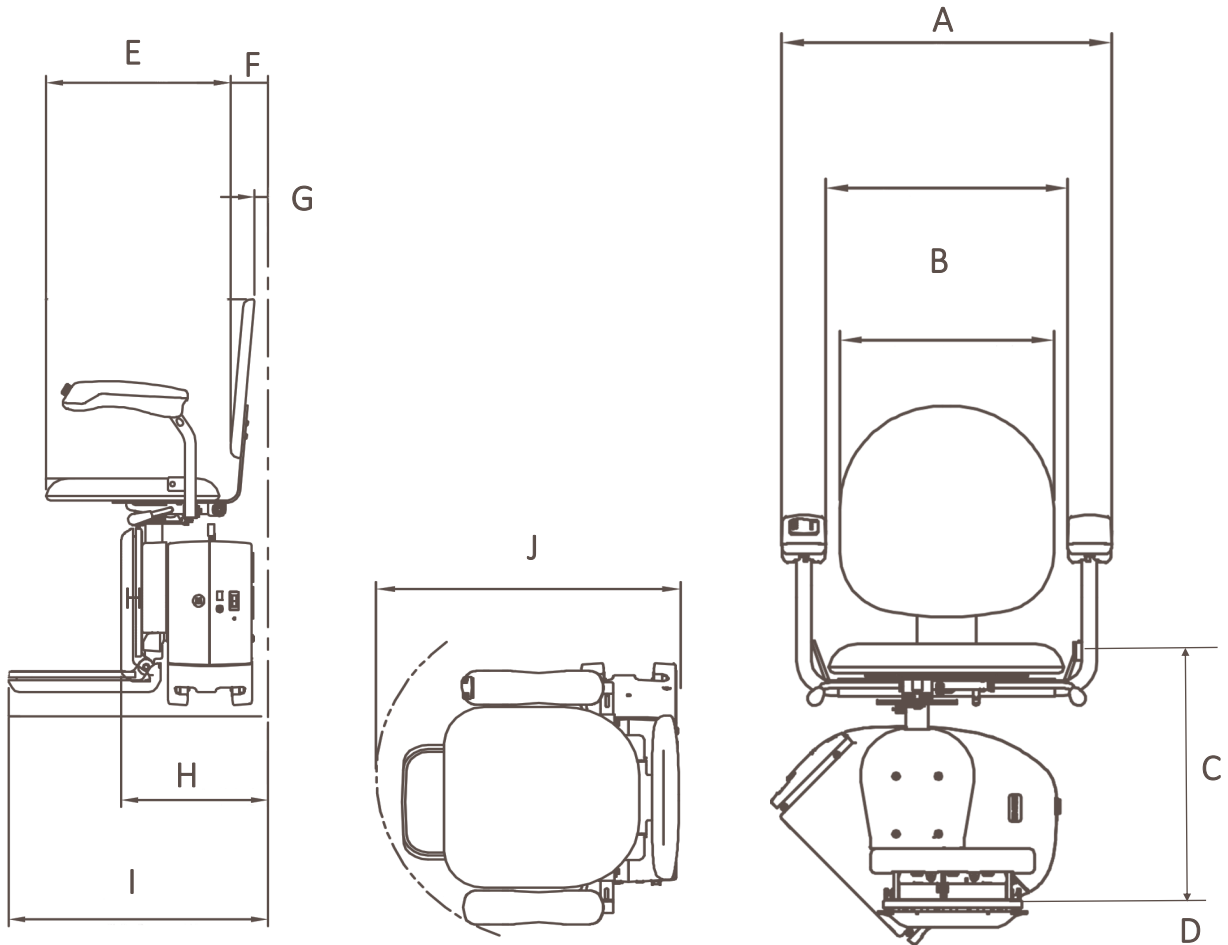
## OPTIONS

- Hinge
- Extended Footplate (2")
- Extended Seat Post (2")
- Extended Stair Brackets (6")
- DC Charger Extension (8ft)

Available in 3 upholstery colors



# DIMENSIONS



Front view	Inches
A - External armrest width	22 to 26
B - Internal armrest width	16 to 20
C - Seat to footrest height	17 to 20
D - Footrest to floor	4
Side view and top view	Inches
E - Seat Depth	16.36
F - Wall to inside of seat	3.3
G - Wall to seat back	1.18
H - Folded width	13
I - Unfolded width	23
J - Swivel radius	24
Track intrusion	7.88

*Please note, all dimensions that are measured from the wall are the minimum that can be achieved. Adjustments to these dimensions may be necessary to account for any constructions that are present.*