

## TECHNICAL DATA/SPECIFICATION

MODEL: SRE-2010 ELITE

RATED LOAD: 400 LBS, ONE PASSENGER

POWER SOURCE: 24 VOLT DC COMPRISED OF (2) 7 AMP/HR  
12 VOLT SEALED BATTERIES

100-240 VOLT AC 1.5 AMP, 24 VOLT DC 2 AMP  
CONTINUOUS MONITORING CHARGER.

DRIVE: 24 VOLT DC DIRECT DRIVE GEAR-MOTOR, 2 POLE

RATED .68 HP, 58:1 RIGHT ANGLE SELF LOCKING  
GEARBOX, 41.5 RPM NO LOAD RPM OUTPUT SPEED.

SUSPENSION: RACK & PINION - INTEGRATED 8DP GEAR RACK  
ON RAIL WITH A SPUR GEAR ON THE OUTPUT  
SHAFT OF THE GEAR BOX.

BRAKING: DYNAMIC MOTOR BRAKING THROUGH THE MOTOR  
CONTROLLER, SELF LOCKING WORM GEAR, AND  
ELECTRO-MECHANICAL MOTOR BRAKE.

CONTROLS: CONTINUOUS PRESSURE ROCKER SWITCH LOCATED  
ON THE ARM REST AND WALL MOUNTED CALL/SEND  
CONTROLS LOCATED AT BOTH THE TOP AND BOTTOM  
LANDINGS.

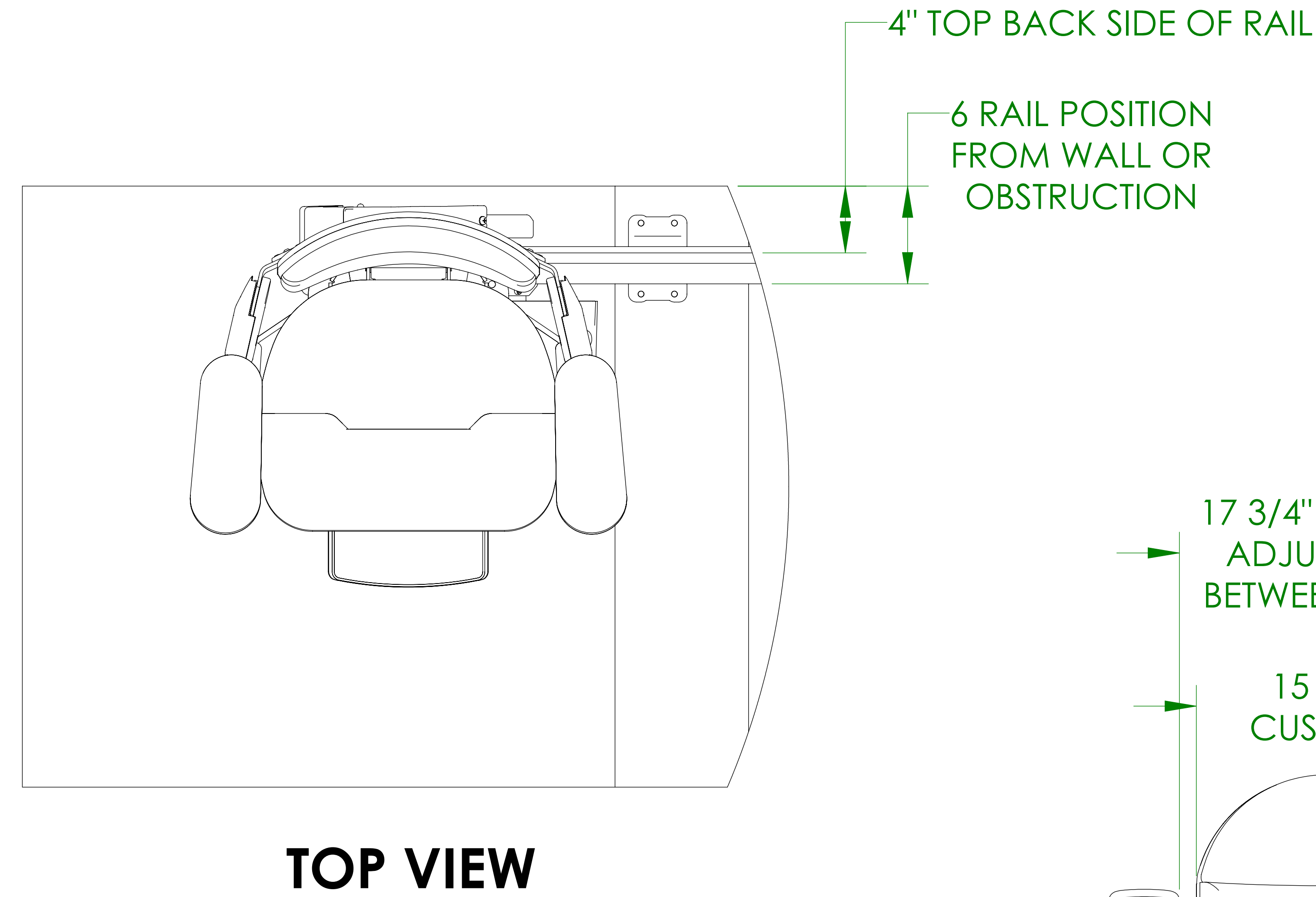
ANGLES: 0 TO 45 DEGREES (SPECIALS UP TO 50 DEGREES) RIGHT  
OR LEFT HAND ORIENTATIONS.

KEYED CONTROL ON CARRIAGE

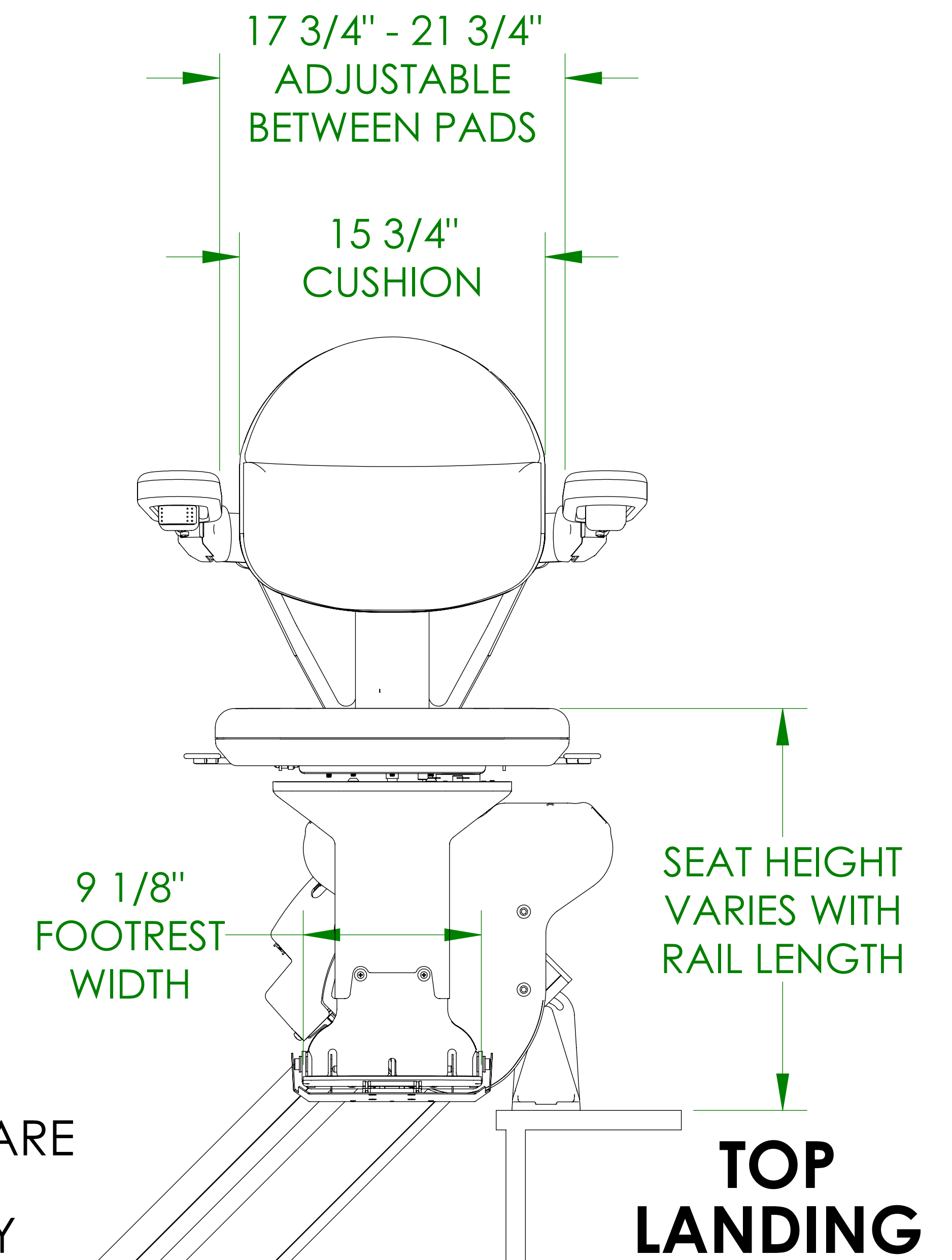
FINAL LIMIT SWITCH STANDARD

OPTIONS:

- 1) KEYED CALL/SEND CONTROLS,
- 2) COMMERCIAL PACKAGE W/OVERSPEED SAFETY BRAKE.

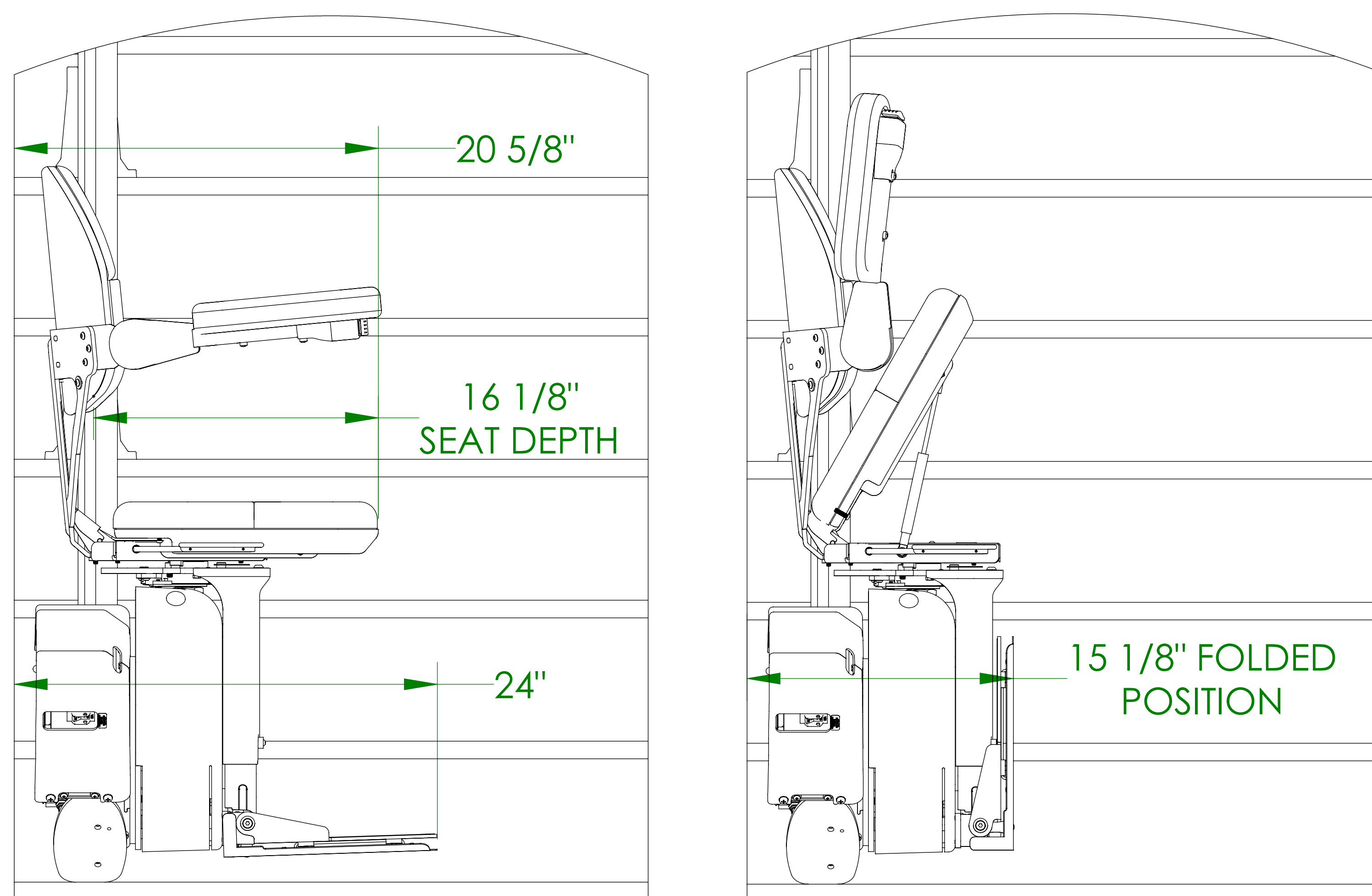


TOP VIEW

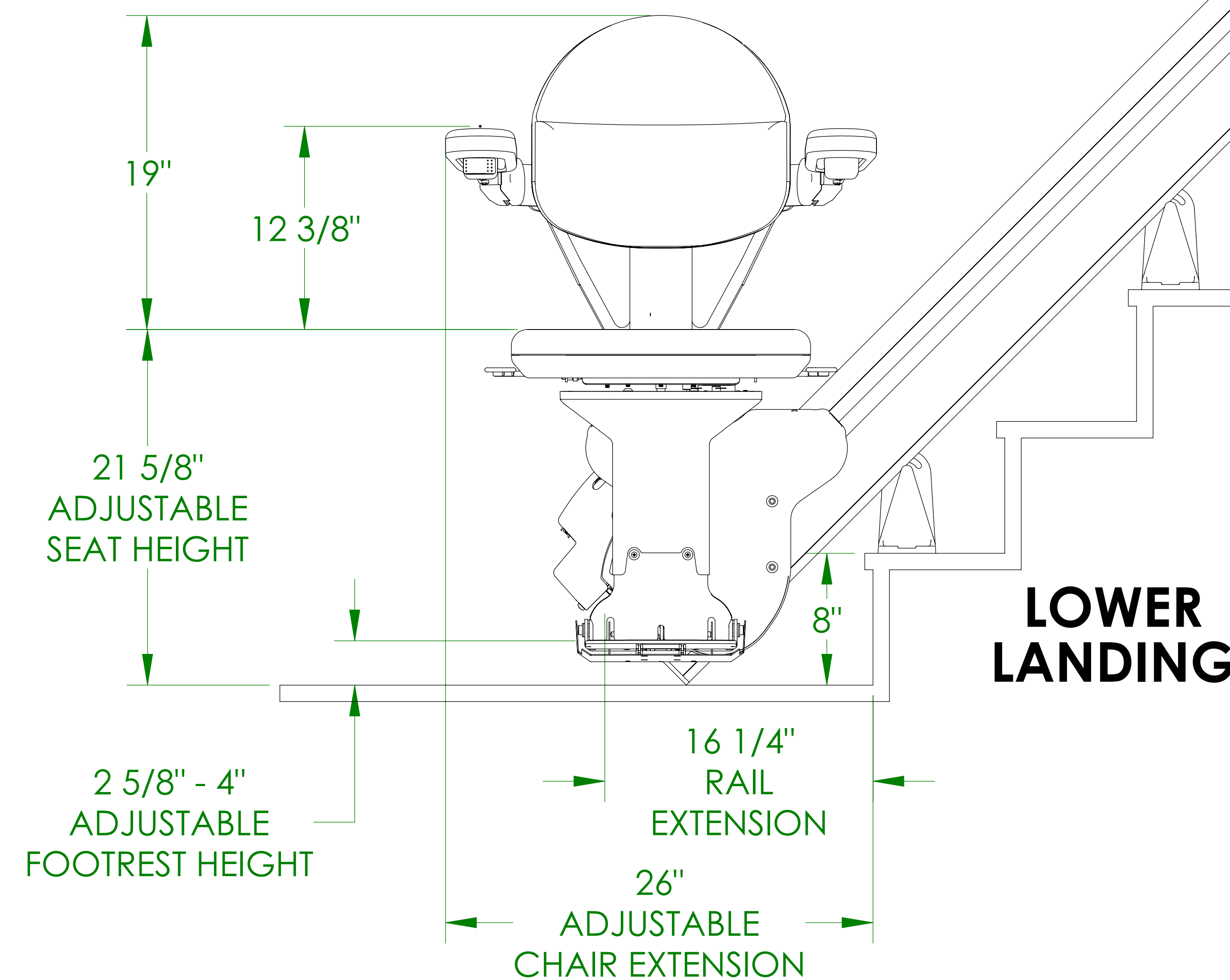


ELEVATION VIEW

LOWER LANDING EXTENSION DIMENSIONS ARE BASED ON 45 DEGREE RAIL SLOPE ON AN 8" 1ST RISER HEIGHT, DIMENSIONS WILL VARY BASED ON SLOPE AND RISER HEIGHT.

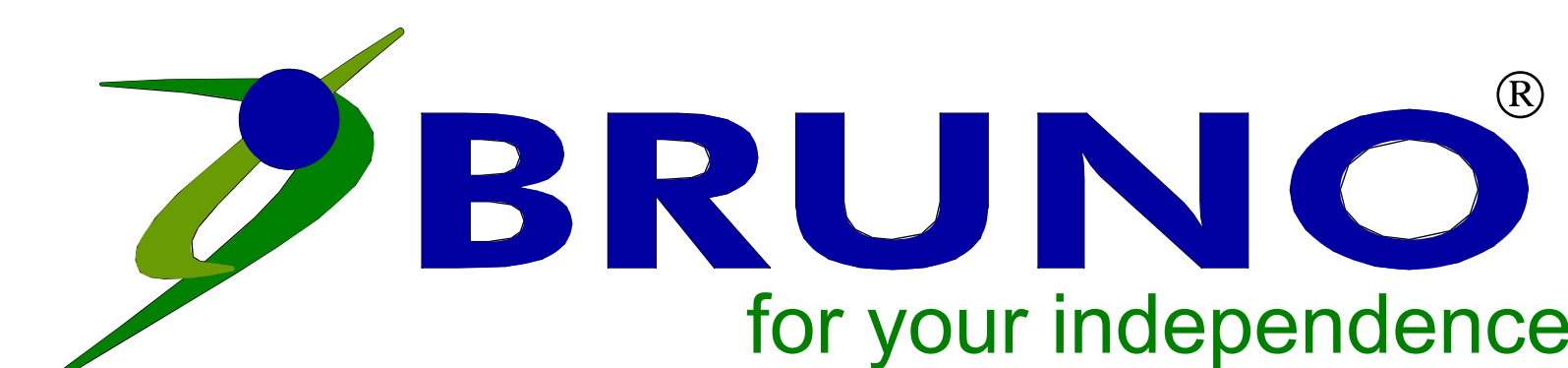


SIDE VIEWS



LOWER LANDING

1780 Executive Drive  
Oconomowoc, WI 53066  
Tel 800-882-8181  
Fax 262-953-5501  
www.bruno.com

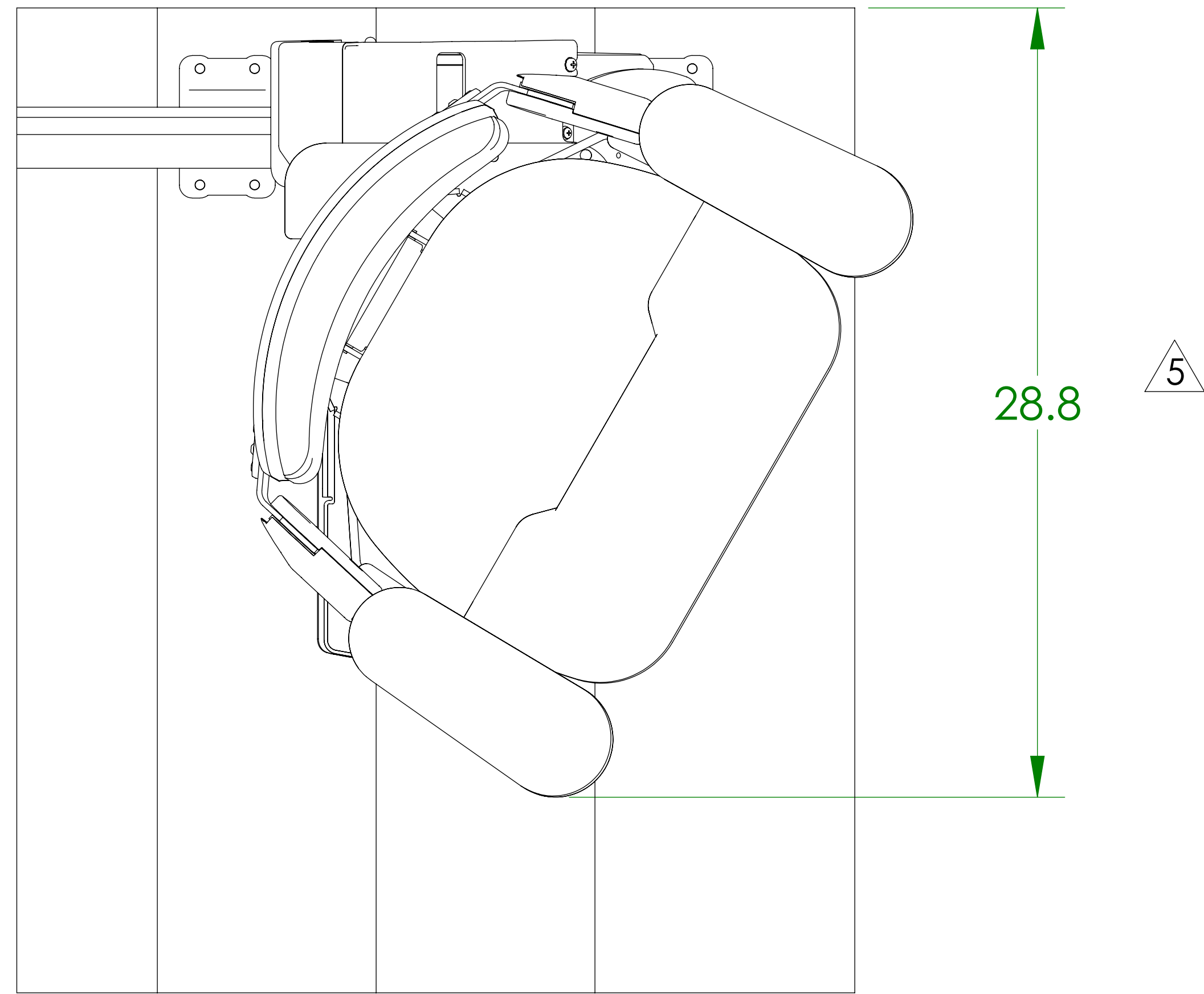


©Bruno Independent Living Aids, Inc.

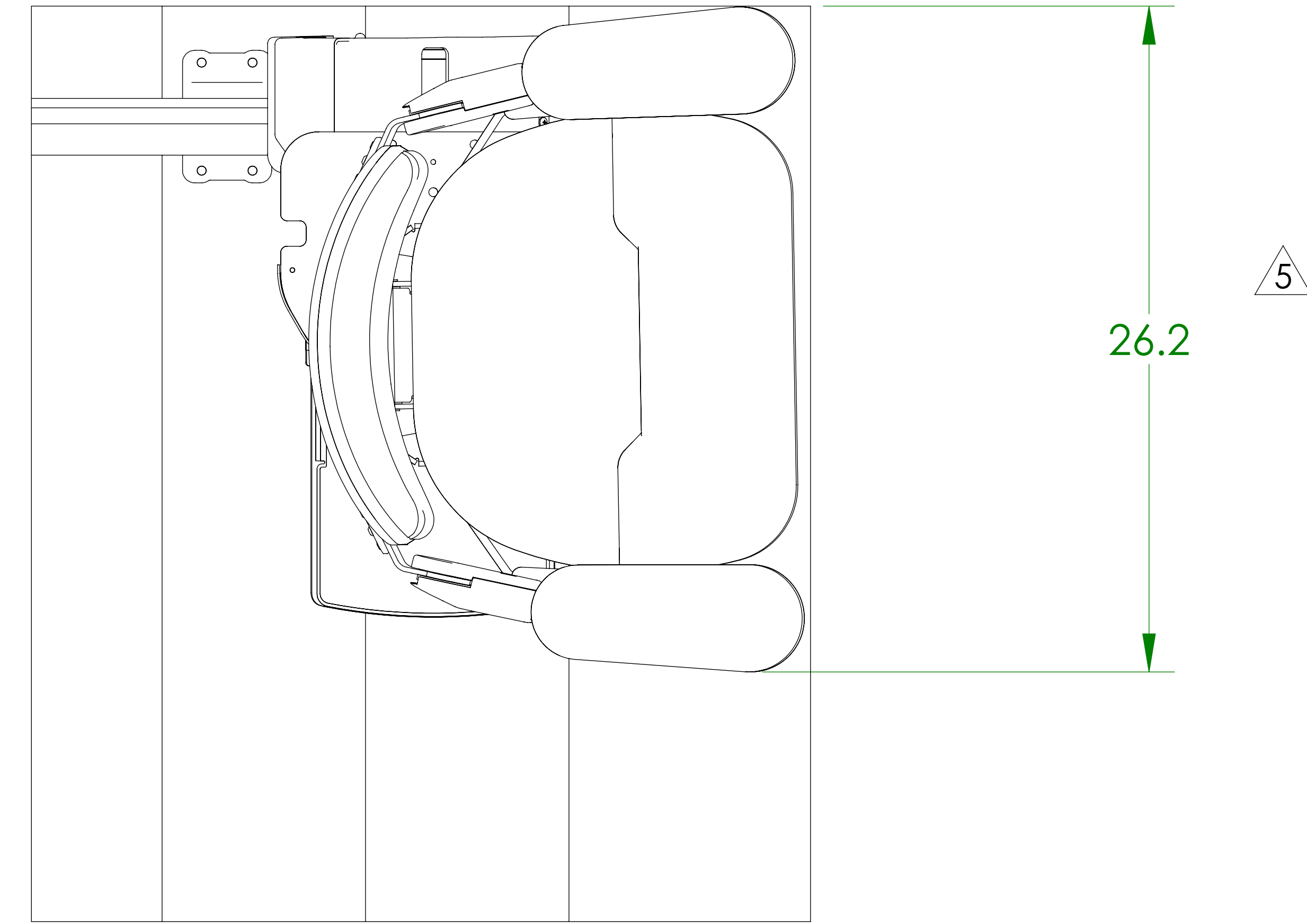
**ILS-01343**  
**SHEET 1 OF 3**  
**REV. 5 (7301)(10/29/20)(BHM)**

# SRE-2010

## DISTANCE FROM WALL - SEAT SWIVELED



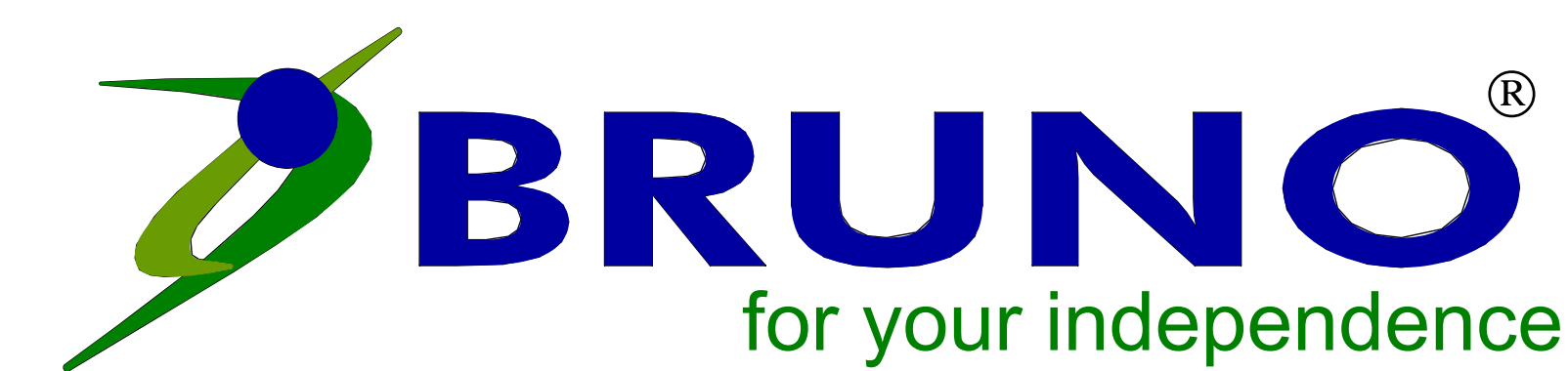
SEAT SWIVELED 60°



SEAT SWIVELED 90°

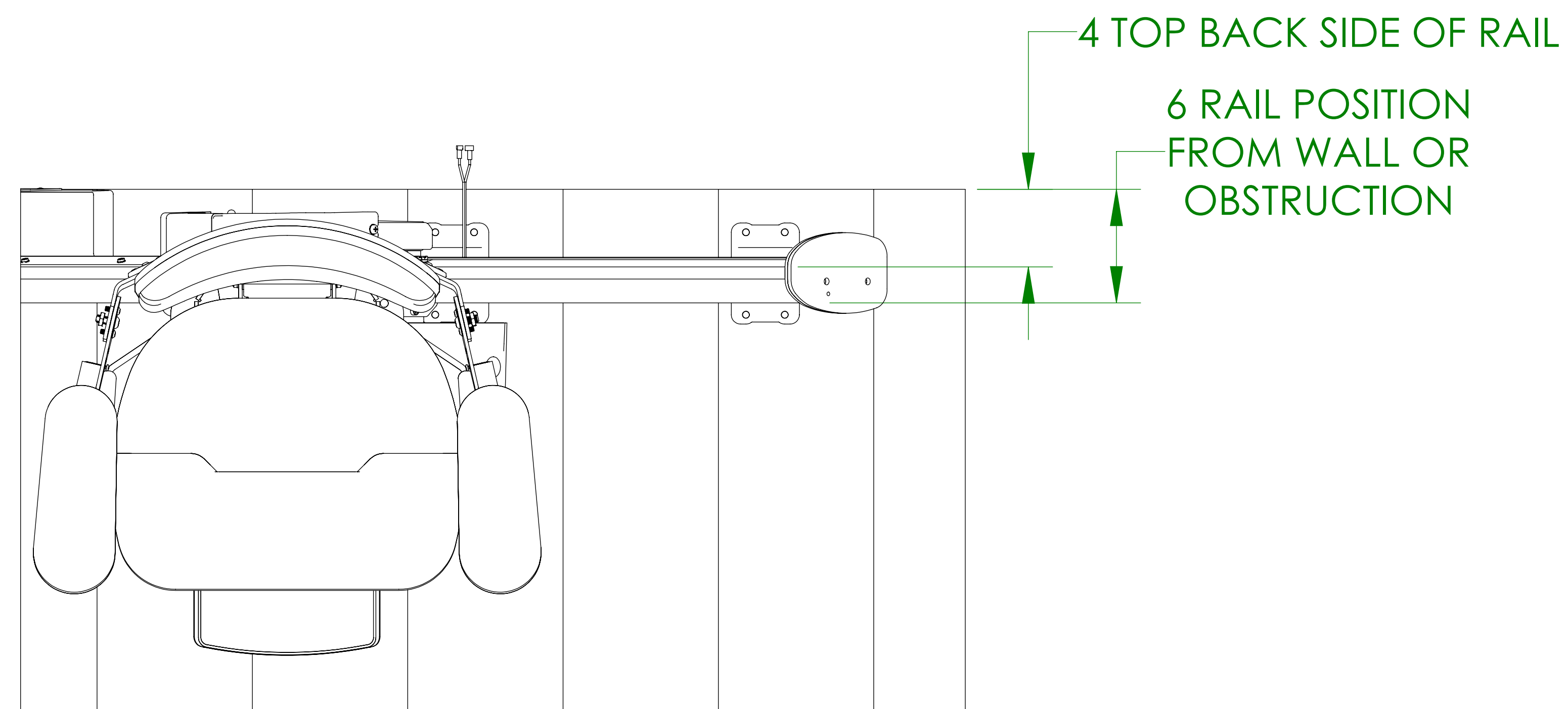
1780 Executive Drive  
Oconomowoc, WI 53066  
Tel 800-882-8181  
Fax 262-953-5501  
www.bruno.com

**ILS-01343**  
**SHEET 2 OF 3**  
**REV. 5 (7301)(10/29/20)(BHM)**



©Bruno Independent Living Aids, Inc.

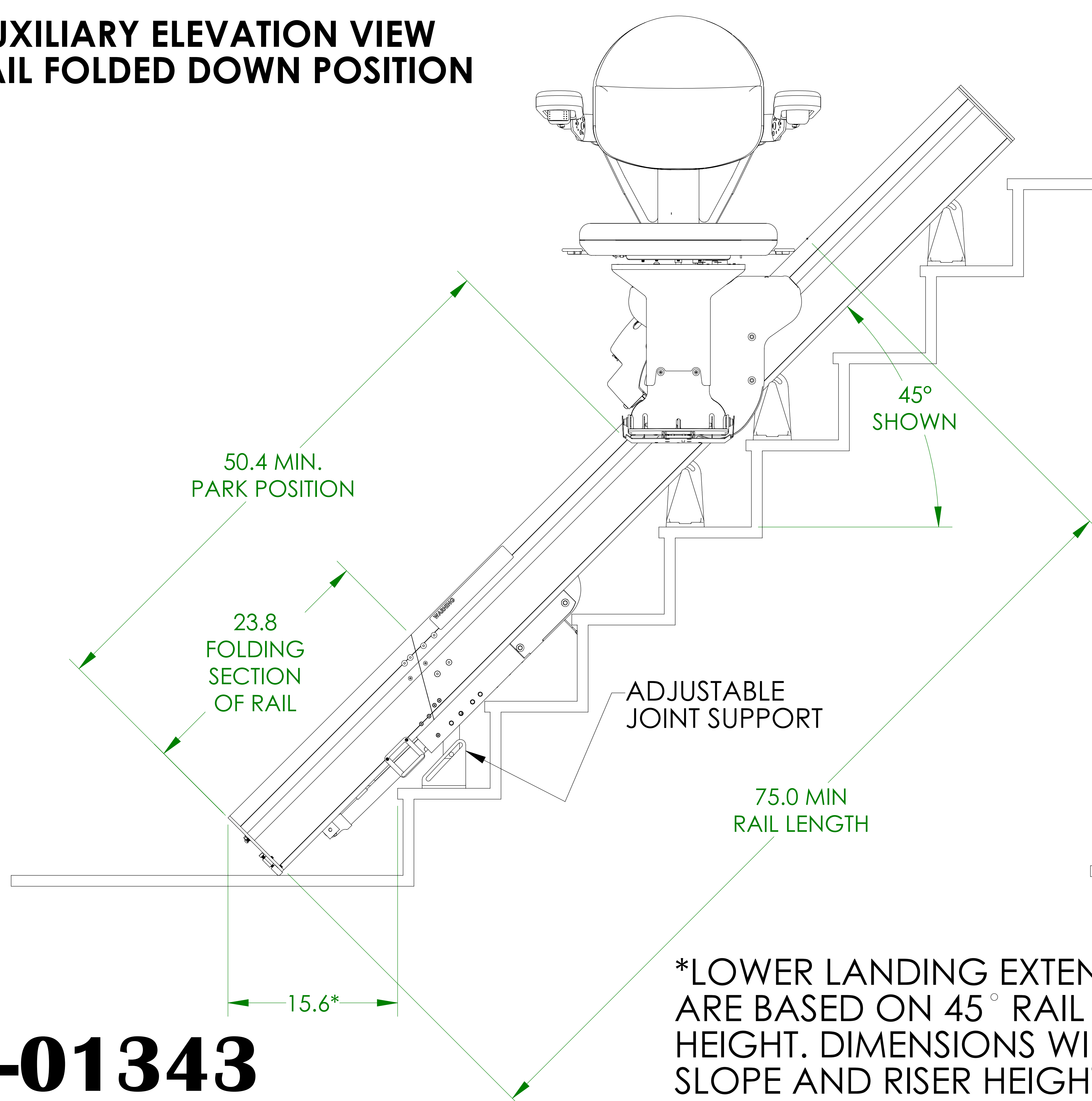
# SRE-2010 FOLDING RAIL



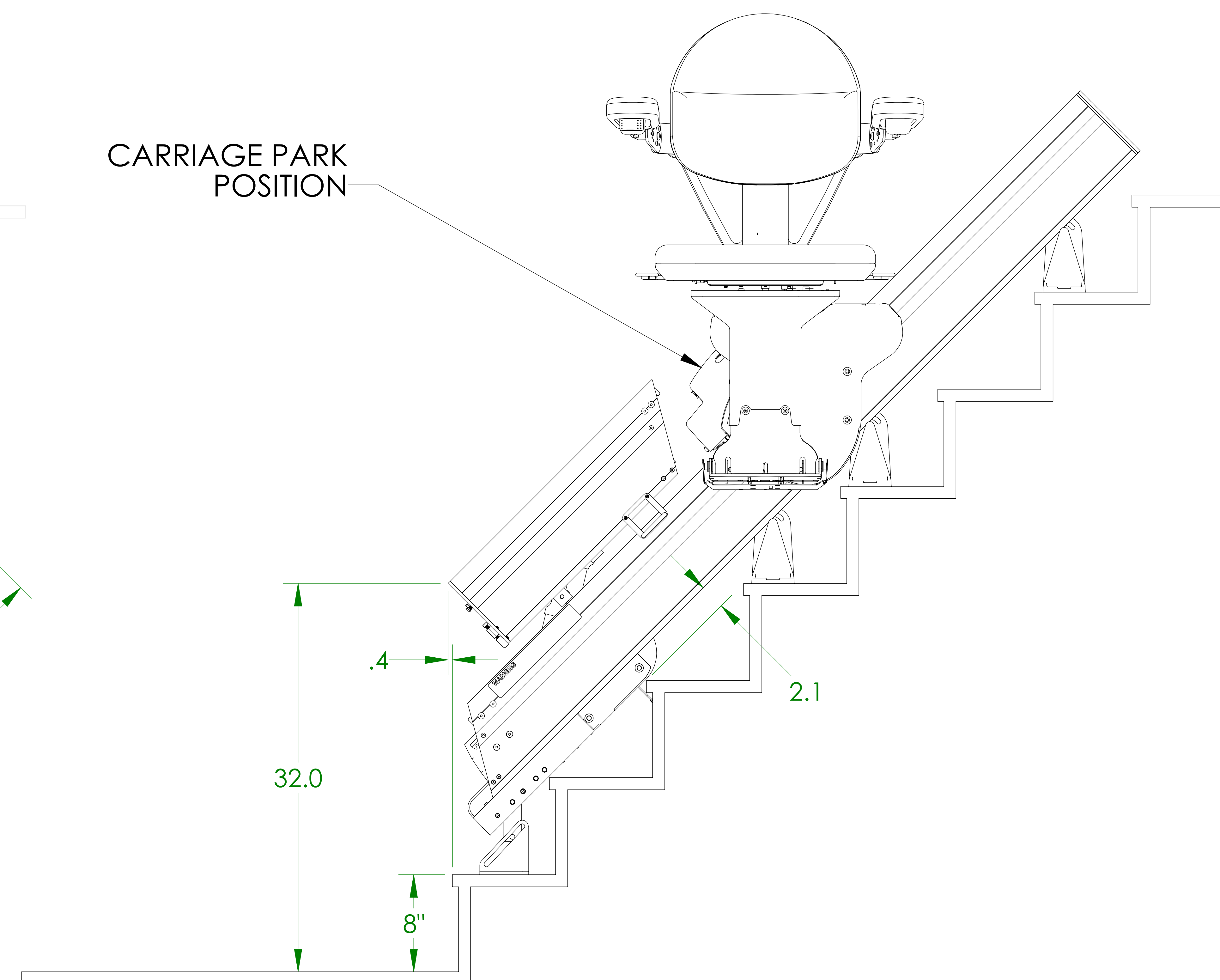
TOP VIEW

AUXILIARY ELEVATION VIEW  
RAIL FOLDED UP POSITION

AUXILIARY ELEVATION VIEW  
RAIL FOLDED DOWN POSITION



CARRIAGE PARK POSITION



\*LOWER LANDING EXTENSION DIMENSIONS ARE BASED ON 45° RAIL SLOPE AND 8" RISER HEIGHT. DIMENSIONS WILL VARY BASED ON SLOPE AND RISER HEIGHT.

1780 Executive Drive  
Oconomowoc, WI 53066  
Tel 800-882-8181  
Fax 262-953-5501  
www.bruno.com